

The Stormblaster

Variable down wash machines



Description

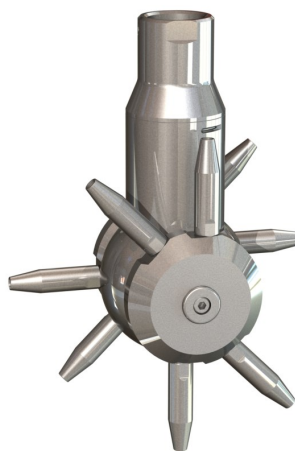
The Stormblasters are specially modified tank cleaning machines ideally suited to applications in the water & sewage industry. Storm overflow tanks are used to hold the excess water from the sewage system after heavy rainfall, to prevent overloading treatment plants. This water is typically made up of a large number of contaminants and may be stored for several days leading to considerable sediment build up. Particularly toxic and foul smelling residues can form due to the bacterial action of biological agents. Eductor systems are traditionally used to create a whirlpool effect as the tank drains in an attempt to dislodge debris and residue.

By contrast the Stormblaster is designed to rotate through its 360° wash cycle with nozzles delivering powerful cleaning jets in the downward arc; cutting out on the upward arc to prevent overspill & upward spraying. Heavy or tough residue concentrated on the bottom or sides of the tanks is easily removed while the high pressure jets effectively break down debris lodged in filtration screens. The result is a fast, efficient, targeted clean. To reduce water consumption still further each machine is custom made to order, matching the specified wash area with cycle times, available operating pressure and flow rate requirements.

Machine Features

Machine	Orbitor Stormblaster	D3000 Stormblaster
Jet length	up to 15.5 m	up to 17 m
Tank Ø	< 31m	< 34m
Nozzles	8	2
Weight	10 kg	11 kg

- Concentrated jets with limited /no overspill
- Downpipe designed to suit application
- Minimum moving parts for ease of use
- Ideal for water utilities & open tanks
- Customer specific wash patterns



Orbitor Stormblaster



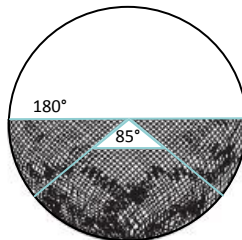
D3000 Stormblaster

Typical Storm Tank Applications

180 – 85° Down Application Models

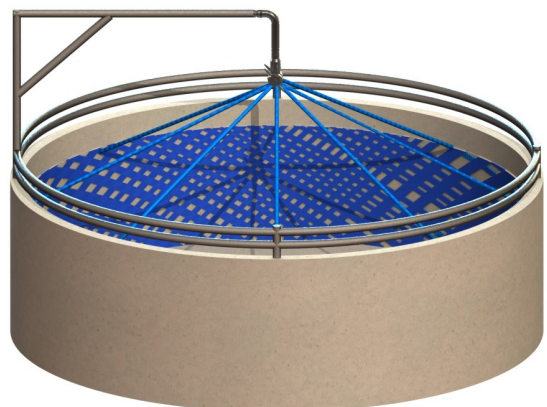
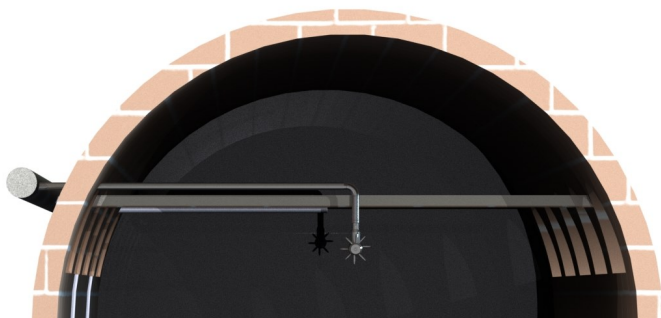
Victorian storm tank system

- Orbitor
- 180° degree down wash
- Fitted to existing pipe work



Open storm tank

- D3000
- 85° degree down wash
- Customer specified 'Swing arm' down pipe



Innovation that delivers

Document No: SB006 Iss 01 19/02/16

The Stormblaster

range of variable down wash machines



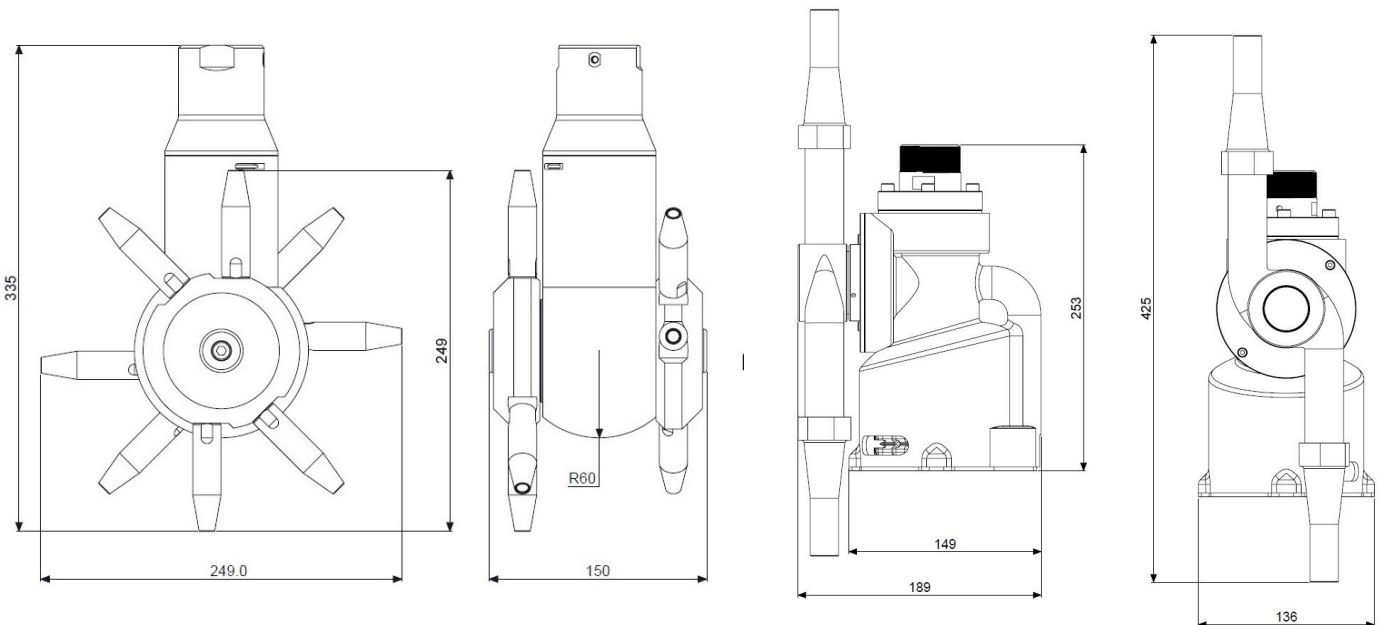
Machine Data

Supply Pressure Kg/cm ²	D3000 Flow (m ³ /h) at Nozzle Size (mm) (*based on 180° down wash)						Materials of manufacture
	6 mm	7 mm	8 mm	9 mm	10 mm	12 mm	
5	6.4	6.8	7.8	9.2	10.7	14.4	Body: 316 St.St Gears : PEEK Bushes: Carbon PTFE
6	6.8	7.4	8.5	9.8	11.4	15.6	
7	7.3	7.9	9.2	10.4	12.0	16.6	
8	7.8	8.4	9.8	11.0	12.6	17.5	
9	8.3	8.9	10.2	11.5	13.2	18.3	
10	8.6	9.3	10.6	12.0	13.7	18.9	

Supply Pressure Kg/cm ²	Orbitor Flow (m ³ /h) at Nozzle Size (mm) (*based on 180° down wash)						Materials of manufacture
	4 mm	5 mm	6 mm	7 mm	8 mm	9mm	
5	6.6	7.8	9.2	10.8	11.2	11.6	Body: 316 St.St Gears : PEEK Bushes: Carbon PTFE
6	7.3	8.8	10	11.8	12.2	12.7	
7	7.5	9.3	10.9	12.7	13.1	13.5	
8	7.8	9.8	11.8	13.5	13.9	14.5	
9	8.1	10.3	12.5	14.3	14.7	15.5	
10	8.4	10.8	13.0	15.0	15.6	16.5	

Orbitor Portable Machine

D3000 Portable Machine



Dasic Tankclean Ltd, Eagle Close, Eastleigh, Hampshire, S053 4NF, United Kingdom

Tel: +44 (0) 23 80252264 Fax: +44 (0) 23 80266233

Email: enquiries@dasic-tankclean.co.uk Web: www.dasic-tankclean.co.uk

Document No: SB006 Iss 01 19/02/16