

Orbitor Dual Head

open or closed tank washing machine



Description

The Orbitor Dual Head is a versatile tank cleaning machine. All 8 nozzles can jet simultaneously to deliver the densest wash pattern available to a full 360° clean.

The unique Dual Head design excels when configured for open tank washing. The wash pattern can be set from 180° to 85° down wash, concentrating the jets in the areas requiring cleaning and reducing waste water. As the machine rotates through its 360° cycle the nozzles deliver powerful cleaning jets in the downward arc and cut out on the upward arc to prevent overspill and upward spraying. At any one time 4 nozzles are open for an effective and constant downward washing action. This modification is ideally suited for applications where heavy residue is concentrated on the bottom of tanks or across filtering structures such as storm screens in the water utilities sector.

To reduce water consumption each machine is custom made to order, matching cycle times, available operating pressure and flow rate requirements. The Orbitor Dual Head can be ATEX certified on request.

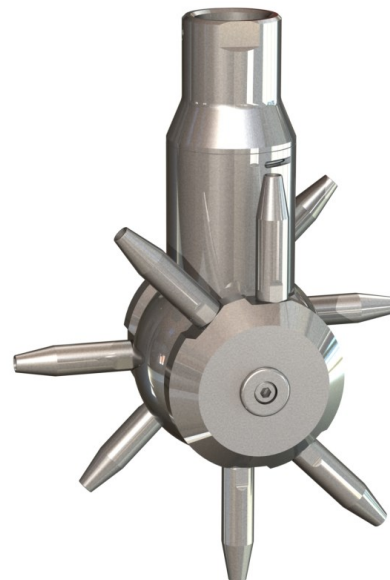
Range	Orbitor 100	Orbitor 4 Nozzle	Orbitor Double Nozzle	Orbitor Dual Head	Orbitor Hi Cap	Orbitor DT
Tank Ø	< 5m - 12m	< 10m - 26m	< 12m - 29m	< 30m *down wash	< 26m - 42m	Bespoke

Machine Features

- Ideal for open tanks up to 30m diam (* based on 180° wash pattern)
- Safety & quality certified to ATEX (on request)
- Configured to order, reducing water consumption
- Minimum moving parts for extended operating life, reduced down time & ease of maintenance
- Self-lubricating, avoids contamination
- Effective cleaning, even at low operating pressures

Materials of manufacture:-

Body	316L Stainless Steel
Gears	PEEK
Bushes	Carbon PTFE



Technical Information

Max height	337mm
Min tank opening	270mm
Weight	10 kg
Inlet connection	1.5" BSP
Operating temperature range	Up to 95°C (to 60°C/ATEX)

Cycle times

Variable:
approx. 10-17 mins

Typical Scope of Supply

Fixed machine

- 1x Orbitor machine
- 1x Down pipe with adapter & valve
- 1x User operation & maintenance manual

Portable machine

- 1x Orbitor machine
- 1x Layflat hose
- 1x Hose saddle
- 1x User operation & maintenance manual



**Innovation
that delivers**

Orbitor Dual Head

Variable down wash tank washing machine



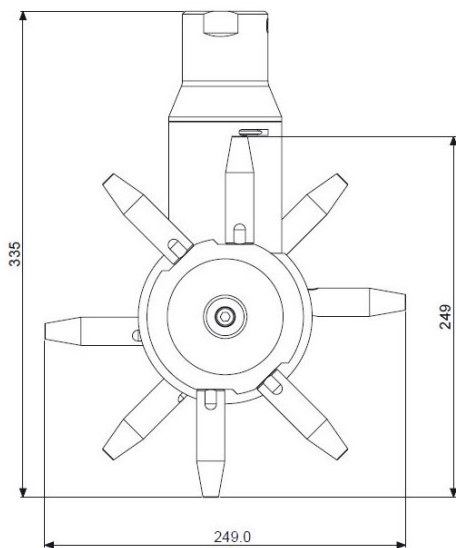
Machine Data (* based on 180° down wash)

Supply Pressure Kg/cm ²	Jet Length (m) at Nozzle Size (mm)						Dual Head spray patterns
	4 mm	5 mm	6 mm	7 mm	8 mm	9mm	
5	5.0	6.0	8.0	9.0	10.0	11.0	
6	6.0	7.0	9.0	10.0	11.0	12.0	
7	7.0	8.0	10.0	11.0	12.0	13.0	
8	8.0	9.0	11.0	12.0	13.0	14.0	
9	9.0	10.0	12.0	13.0	14.0	15.0	
10	9.5	10.5	12.5	13.5	14.5	15.5	

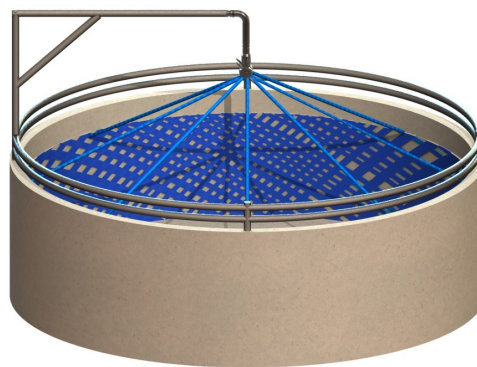
Supply Pressure Kg/cm ²	Flow (m ³ /h) at Nozzle Size (mm)						Typical applications
	4 mm	5 mm	6 mm	7 mm	8 mm	9mm	
5	6.6	7.8	9.2	10.8	11.2	11.6	<ul style="list-style-type: none"> • Open tanks • Utilities
6	7.3	8.8	10	11.8	12.2	12.7	
7	7.5	9.3	10.9	12.7	13.1	13.5	
8	7.8	9.8	11.8	13.5	13.9	14.5	
9	8.1	10.3	12.5	14.3	14.7	15.5	
10	8.4	10.8	13.0	15.0	15.6	16.5	

Machine Dimensions

Fixed Machine



180 – 85° Down Application Model



180 – 85° Down Features

- Concentrated jets
- Limited /no overspill
- 8 nozzles
- Downpipe designed to suit application
- Ideal for water utilities & open tanks

Dasic Tankclean Ltd, Eagle Close, Eastleigh, Hampshire, S053 4NF, United Kingdom

Tel: +44 (0) 23 80252264 Fax: +44 (0) 23 80266233

Email: enquiries@dasic-tankclean.co.uk Web: www.dasic-tankclean.co.uk

Document No: SB006 Iss 01 19/02/16