

Orbitor Double Nozzle

industrial & hygienic tank washing machine



Description

The classic high quality stainless steel Orbitor is a self lubricated, self cleaning orbital tank washing machine. Its unique design & simplicity of operation means it is ideally suited for use in a wide range of industrial & hygienic environments / CIP systems.

The cleaning medium passes through the 2 nozzle machine & is delivered as high pressure impact cleaning jets. An efficient turbine motor drives the Orbitor head through a 360° spherical pattern providing 100% tank cleaning to the highest sanitary standard. The Orbitor excels at cleaning horizontal corrugations and difficult structures and can be used with very hot water making it ideal for food, brewing & other hygienic applications. Due to its low starting torque, it can also be used with low supply pressures. The cleaning media lubricates the gear box so there is no risk of contamination.

The Orbitor is supplied in 2 finishes: standard for general industrial purposes & highly polished for hygienic use. To ensure 100% efficient cleaning with the minimum possible water consumption, each machine is custom made / configured to order, matching cycle times, operating pressure & flow rate requirements. The inlet connection can be adapted to suit. Both fixed & portable units can be ATEX certified to operate safely in hazardous zones (available on request).

Range	Orbitor 100	Orbitor 4 Nozzle	Orbitor Double Nozzle	Orbitor Dual Head	Orbitor Hi Cap	Orbitor DT
Tank Ø	< 5m - 12m	< 10m - 26m	< 12m - 29m	< 30m *down wash	< 26m - 42m	Bespoke

Machine Features

- The Orbitor is ideal for use in medium to larger tanks from 12m to 29m diam.
- Tried & tested, safe, quality design (ATEX / BV)
- Available in 2 surface finishes: standard & hygienic
- Minimum moving parts to ensure extended operating life & reduced down time & ease of maintenance
- Configured to order, reducing water consumption
- Effective cleaning, even at low pressures
- Media lubricated so no risk of contamination

Materials of manufacture:-

Body	316L Stainless Steel
Gears	PEEK
Bushes	Carbon PTFE



Technical Information

Max height	354mm
Min tank opening	Ø 125mm
Weight	6 kg
Inlet connection	1.5" BSP
Operating temperature range	up to 95°C (to 60°C/ATEX)
Cycle times	variable approx. 10-17 mins

Typical Scope of Supply

Fixed machine

- 1x Orbitor machine
- 1x Down pipe with mounting flange & valve
- 1x User operation & maintenance manual

Portable machine

- 1x Orbitor machine
- 1x Layflat hose
- 1x Hose saddle
- 1x User operation & maintenance manual



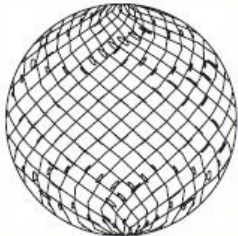
Innovation
that delivers

Orbitor Double Nozzle

industrial & hygienic tank washing machine



Machine Data

Supply Pressure Kg/cm ²	Jet Length (m) at Nozzle Size (mm)				2 nozzle wash pattern 
	5 mm	6 mm	7 mm	8 mm	
5	6	8	9	10	
6	7	9	10	11	
7	8	10	11	12	
8	9	11	12	13	
9	10	12	13	14	
10	10.5	12.5	13.5	14.5	

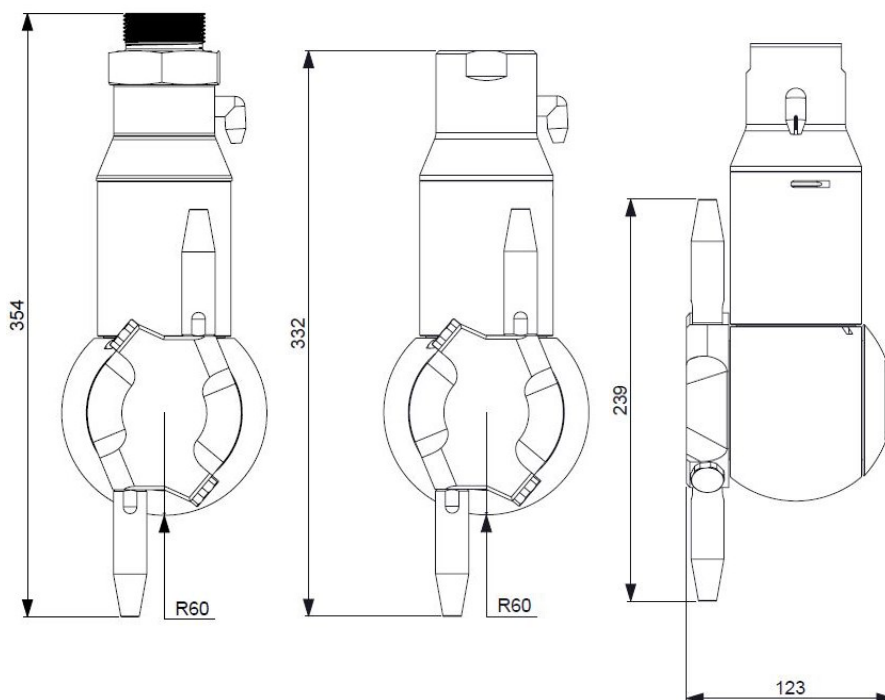
Supply Pressure Kg/cm ²	Flow (m ³ /h) at Nozzle Size (mm)				For larger nozzles see Orbitor Hi Cap brochure
	5 mm	6 mm	7 mm	8 mm	
5	5.2	6.6	8.4	10.5	
6	5.8	7.2	9.2	11.2	
7	6.4	7.8	10.2	12.0	
8	6.8	8.2	11.0	12.8	
9	7.6	8.7	11.7	13.5	
10	7.9	9.0	12.4	14.2	

Machine Dimensions

Portable Machine

Fixed Machine

Typical applications



- Food
- Beverage
- Chemical
- Pharmaceutical
- Petrochemical
- Utilities
- Marine
- General tank cleaning

Dasic Tankclean Ltd, Eagle Close, Eastleigh, Hampshire, S053 4NF, United Kingdom.

Tel: +44 (0) 23 80252264 Fax: +44 (0) 23 80266233

Email: enquiries@dasic-tankclean.co.uk Web: www.dasic-tankclean.co.uk

