

Orbitor 100

industrial & hygienic tank washing machine



Description

New to the Orbitor range in 2016, the Orbitor 100 is the compact edition of the classic Orbitor: a self-lubricated, self-cleaning tank washing machine. It features the same versatility & simplicity of operation whilst delivering all the economy & high impact cleaning of the larger unit to smaller tank sizes or confined spaces.

It's compact design means the Orbitor 100 can fit effortlessly through a 100mm opening to deliver the powerful clean of a unit double its size to tanks traditionally serviced by less effective rinsing & wetting devices. By aligning the nozzles vertically (see schematic overleaf) the unit even passes readily through Ø3" BSP access point.

With quality components, materials & finishing, the machine is highly suited to a wide variety of industrial & hygienic CIP applications. It can be used with hot water, making it ideal for use in food & pharmaceutical industries with ATEX certification (pending) available on request.

The cleaning medium passes through the 4 nozzle machine delivering a dense 360° wash pattern of high impact cleaning jets to the highest sanitary standard. To reduce water consumption each machine can be configured to order by matching cycle times, operating pressure & flow requirements. The Orbitor 100 can be supplied in 2 finishes: standard or hygienic.

Range	Orbitor 100	Orbitor 4 Nozzle	Orbitor Double Nozzle	Orbitor Dual Head	Orbitor Hi Cap	Orbitor DT
Tank Ø	< 5m - 12m	< 10m - 26m	< 12m - 29m	< 30m *down wash	< 26m - 42m	Bespoke

Machine Features

- Ideal for smaller tanks, easily fits Ø100mm apertures (4"); Ø85mm* (3") *when vertically aligned
- Safety & quality certified to ATEX / BV (pending)
- Configured to order, reducing water consumption
- Minimum moving parts to ensure extended operating life, reduced down time & ease of maintenance
- Available in 2 surface finishes: standard & hygienic
- Self-cleaning & lubricating avoids contamination

Materials of manufacture:-

Body	316L Stainless Steel
Gears	PEEK
Bushes	Carbon PTFE



Technical Information

Max height	194mm
Min tank opening	Ø 100mm (85mm*)
Weight	2.5kg
Inlet connection	¾" or 1" BSP/NPT
Operating temperature	up to 95°C (to 60°C / ATEX)
Cycle/Wash times	dependant on specification range 10-20 minutes

Typical Scope of Supply

Fixed machine

- 1x Orbitor 100 machine
- 1x Down pipe with mounting flange & valve
- 1x User operation & maintenance manual

Portable machine

- 1x Orbitor 100 machine
- 1x Layflat hose
- 1x User operation & maintenance manual



Innovation
that delivers

Orbitor 100

industrial & hygienic tank washing machine

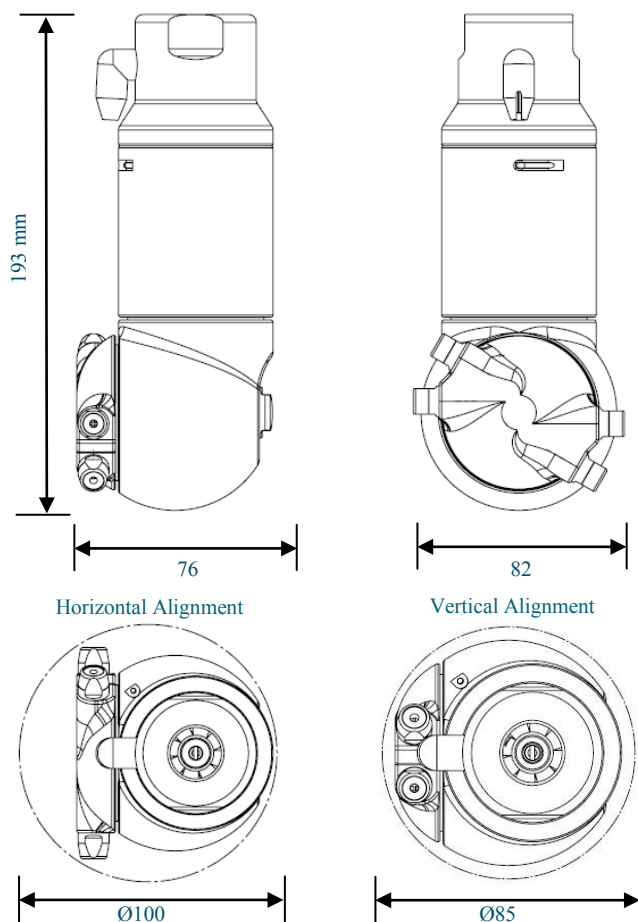


Machine Data

Supply Pressure Bar	Flow (m³/h) at Nozzle Size (mm)				4 nozzle wash pattern
	3 mm	4 mm	5 mm	6 mm	
3	2.7	4.0	5.3	6.9	
4	3.1	4.5	6.0	7.6	
5	3.5	5.1	6.6	8.3	
6	3.9	5.6	7.2	9.1	
7	4.3	6.1	7.8	9.8	
8	4.7	6.6	8.4	10.5	
9	5.1	7.1	8.9	11.2	
10	5.4	7.6	9.4	11.9	

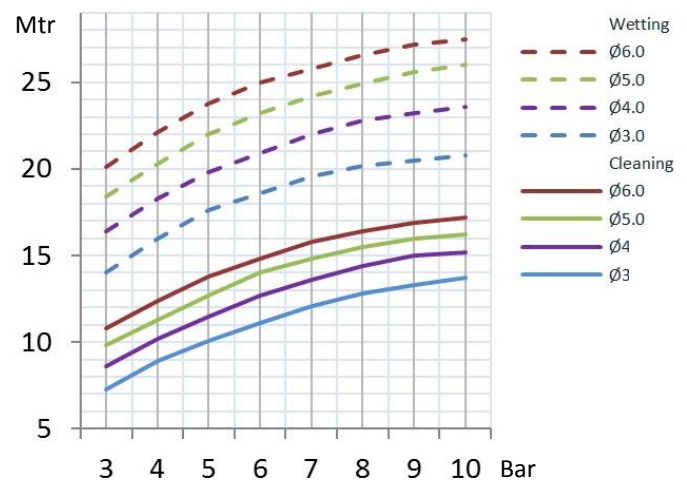
Machine Dimensions

Machine Dimensions (mm)



Machine Data

Tank Wetting/Cleaning diameter



Typical applications

- Food
- Beverage
- Chemical
- Pharmaceutical
- Petrochemical
- Utilities
- Marine
- General small tank cleaning

Dasic Tankclean Ltd, Eagle Close, Eastleigh, Hampshire, S053 4NF, United Kingdom.

Tel: +44 (0) 23 80252264 Fax: +44 (0) 23 80266233

Email: enquiries@dasic-tankclean.co.uk Web: www.dasic-tankclean.co.uk