



## Flush washing valve 3-A for stirred tank

# LPA-A<sup>®</sup>



Optional:



Gaskets:



### OVERVIEW:

The LPA-A washing valve is designed to carry out intensive cleaning of the tank during CIP cycles: it can reach the "shadow zones" generated by the components including agitators and their shafts, anchors and pigs.

Each LPA-A valve is unique: SERVINOX studies the impact zones according to tank and component characteristics, for optimal washing efficacy and reduced cycle time. Attached to the shell of the tank, its flush design does not interfere with wall scrapers and does not damage them.

### KEY BENEFITS:

- ▲ Washing valve certified 3-A 58-01
- ▲ Efficacy: Intensive cleaning of the tank using the customised design of the spraying grid on which the number, size and orientation of the holes is calculated according to valve positioning and the zones impacted inside the tank
- ▲ Return: Reduction in CIP cycle costs
- ▲ Productivity: Better availability of the installations through the reduction in CIP times
- ▲ Environment: Savings in water and washing products
- ▲ Dual control of the valve with spring loading and closure maintained in the event of air motor cut-off

### APPLICATIONS:

- ▲ For reinforced sanitising of process tanks stirred with scraper blades or proximity scrapers
- ▲ All types of products

#### TECHNICAL SPECIFICATIONS:

**Sizes:** DN 25

**Intake connection:** To weld, clamp

**Connection on tanks:** Flush flange to weld

**Service pressure:** Up to 6 bar

**Sealing:** Up to 3 bar in the tank with no air in the cylinder

**Service temperature:** From 0 °C to 140 °C

**Washing rate:** 6 m<sup>3</sup>/h at 2 bar

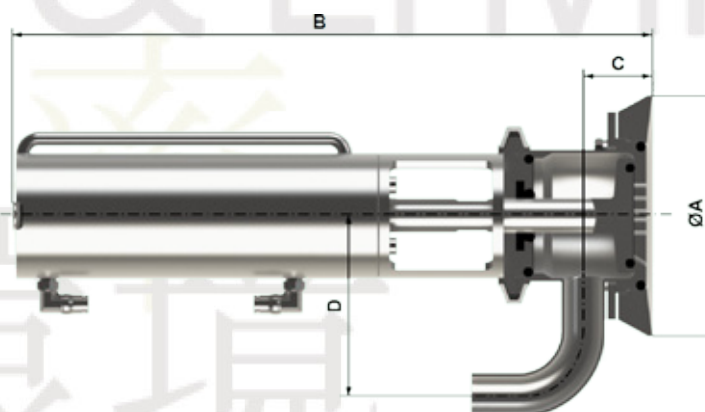
**CIP liquid pressure on closed valve:** 3 bar (air control cylinder 6 bar)

**Materials:**

- Parts in contact with the product: 1.4404 (316L) stainless steel
- Other metal parts: 1.4307 (304L) stainless steel
- Cylinder body: Ground-glass cylinder tube Stainless steel 1.4307 (304L)
- Gaskets in contact with the product: EPDM (Ethylene Propylene Diene Monomer) or FKM (Fluorocarbon rubber, eq. Viton®)

#### DIMENSIONS IN MM (STANDARD VERSION):

SIZES	DN 25 (1")
∅A	139
B	370
C	40
D	96



#### OPTIONS:

- ATEX "94/9/CE zones 1 & 2, gas and dust" certified version possible
- Control unit
- Position detector
- Other gaskets

#### GUARANTEE:

12 months from the date of delivery (except in the case of special conditions)

#### COMPLIANCE:

- Valve certified 3-A 53-06
- Elastomer gaskets compliant with FDA CFR 21.177.2600, 3-A Class I and ruling 1935/2004/EC
- Optional: compliant with "ATEX 94/9/EC zones 1 & 2, gas and dust" directive

SERVINOX follows the recommendations of international guidelines and standards relative to hygienic design and construction, in particular those of the EHEDG and 3-A.

Non contractual document and pictures, subject to change with no prior notice.

Only the commercial offer and the technical manual supplied with the equipment may be used for technical and legal purposes.

Servinox is an ISO 9001:2008 certified company

