



Valve for powder vacuum introduction tank bottom

RT[®]



CE

Optional:



Gaskets:



OVERVIEW:

Resulting from the process expertise of our teams and their extensive experience in numerous sectors (agri-food, chemical industry, cosmetology, pharmaceuticals, etc.), the RT valve illustrates the capacity and willingness of Servinox to develop solutions to improve and secure the production processes.

The RT valve is a check valve allowing vacuum powder introduction via the tank bottom. Its flush design guarantees there is no retention zone (an ideal place for bacteria and moist powder plugs to develop). The full clearance of the disc coupled with its massive design (the piston rod has the same diameter as the disc itself) guarantee the total absence of powder retention inside the valve.

SERVINOX possesses simulation tools to dimension an RT valve with respect to the characteristics of the tank, product and quantities of powder to add.

KEY BENEFITS:

- ▲ Productivity: study and simulations prior to sizing for enhanced effectiveness
- ▲ Quality: the flush design preserves product hygiene and integrity
- ▲ Reliability of the production process: quality of the dispersals, control of the quantities of powder added and repeatability of the production recipes
- ▲ Protection of the operators in the production phase: prevention of the risks associated with exposure to stress and health risks at work (handling loads, exposure to emanations, etc.)
- ▲ Maintenance: the tank bottom position makes for easier accessibility

APPLICATIONS:

- ▲ Installation on process tank bottom and vacuum production reactor
- ▲ We recommend completing the installation with a rotor stator type disperser to ensure powder propagation and homogeneous mix in all the liquid

TECHNICAL SPECIFICATIONS:

Sizes: DN 15, DN 25, DN 40, DN 50

Connection: To weld

Service pressure: From -1.0 to 6.0 bar

Service temperature: From 1 °C to 120 °C

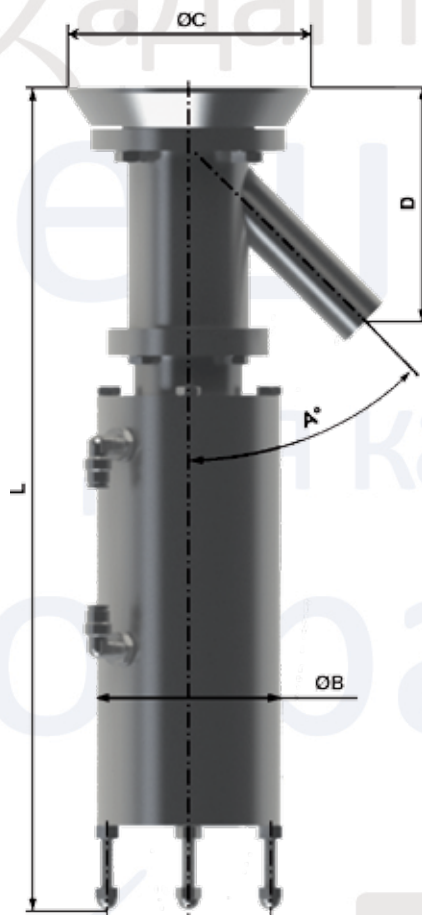
Materials:

- Parts in contact with the product: 1.4404 (316L) stainless steel
- Other parts: 1.4301 (304L) stainless steel
- Tightness in contact with the product: FKM (Fluorocarbon rubber, eq. Viton®), PU (Polyurethane)
- Other gaskets: Perbunan®

The valve is equipped with position detection by magnetic inductive sensors mounted on the control cylinder rail.

DIMENSIONS IN MM:

SIZES	DN 15 (17.2x1.6)	DN 25 (25x1.25)	DN 40 (38x1.25)	DN 50 (51x1.25)
A°	45°	45°	30°	30°
Ø B	60	83	100	138
Ø C	90	109	123	148
D	62	104	165	195
L	251	370	410	554



OPTIONS:

- Compliant with "ATEX 94/9/CE zones 1 & 2, gas and dust"
- Control unit (with solenoid valve, standard, ATEX zone 2 or ASi)
- Other connections: Clamp, Male, flange, etc.
- Tightness: other materials available
- Other construction material types and finishes on request
- Customized equipment: please contact us

GUARANTEE:

12 months from the date of delivery (except in the case of special conditions)

COMPLIANCE:

- Tank accessories compliant with European PED 97/23/EC, §3.3
- Optional: Compliant with "ATEX 94/9/EC zones 1 & 2, gas and dust"
- Elastomer gaskets compliant with FDA CFR 21.177.2600 and 1935/2004/EC ruling

SERVINOX follows the recommendations of international guidelines and standards relative to hygienic design and construction, in particular those of the EHEDG and 3-A.

Non contractual document and pictures, subject to change with no prior notice.
Only the commercial offer and the technical manual supplied with the equipment may be used for technical and legal purposes.